

4Matic offers Manual Worm Gear / Lever Operated Off - Set Disc Butterfly Valve in Wafer & Double Flange Construction engineered for multiply ON / OFF Operation in the large Pipe line and full flow down Stream.

Size Range : 2" to 12" (150#)

Standard

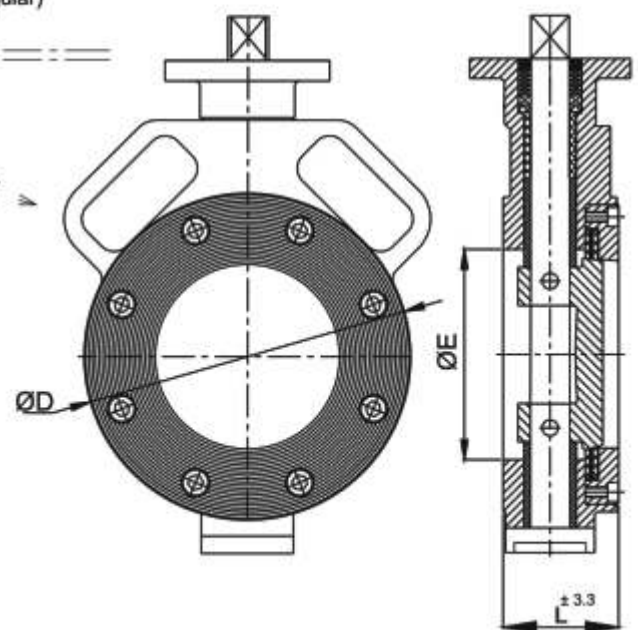
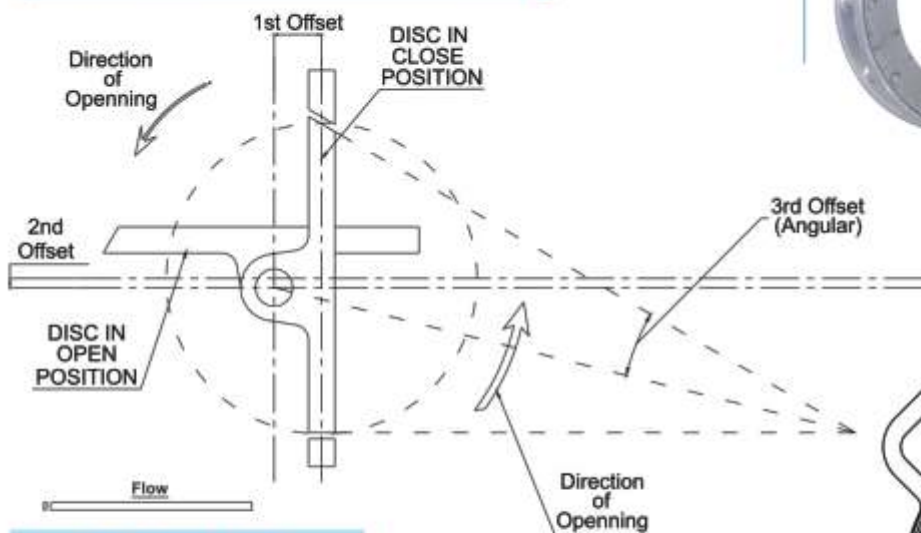
Design And Manufacturing : API 609
Valve Face to Face Dimensions : API 609 Category "B"
Flange Standard Conformity : ASME / ANSI B 16.5 Class 150
Inspection & Testing : API 598
Leakage Class : ASME B 16, 16.104 Leakage Class VI

Pressure / Temperature Rating

Pressure : As Per 150# B16.34
Temperature : 550 °C (Above 550 °C On Request)



609 - 0055



VALVE TORQUE 150#

Valve Size	5 Bar	10 Bar	20 Bar
MM Inch	N · m	N · m	N · m
50 2"	11	15	21
65 2.1/2"	20	28	38
80 3"	38	43	63
100 4"	50	58	80
125 5"	73	100	144
150 6"	113	144	181
200 8"	175	219	350
250 10"	294	331	375
300 12"	400	450	625

CV Values

Valve Size	10°	20°	30°	40°	50°	60°	70°	80°	90°
MM Inch									
50 2"	2	5	11	19	28	41	58	77	85
65 2.1/2"	2	9	20	28	45	60	80	120	130
80 3"	3	10	22	42	64	96	150	157	160
100 4"	6	17	41	75	116	174	273	284	290
125 5"	6	45	75	170	280	478	650	707	795
150 6"	7	51	119	221	340	510	799	833	850
200 8"	4	103	239	445	684	1026	1607	1676	1710
250 10"	50	151	353	655	1008	1515	2369	2470	2520
300 12"	79	236	552	1024	1576	2364	3704	3861	3940

Dimensions : (All Dimensions are in mm)

Valve Model	Valve Size	L	ØD	ØE
	MM Inch			
4M-TO-HP-50	50 2"	47	95	50.8
4M-TO-HP-65	65 2.1/2"	52	108	60.6
4M-TO-HP-80	80 3"	52	127	72
4M-TO-HP-100	100 4"	57	159	100
4M-TO-HP-125	125 5"	60	186	123
4M-TO-HP-150	150 6"	60	217	143
4M-TO-HP-200	200 8"	67	270	192
4M-TO-HP-250	250 10"	72	322	239
4M-TO-HP-300	300 12"	75	382	290

4Matic Handle & Gear Operated SMT Model metal to metal replaceable seat design Spherical Disc Valve. Temperature upto 400°C flat metal seat leakage Class VI.



609 - 0055



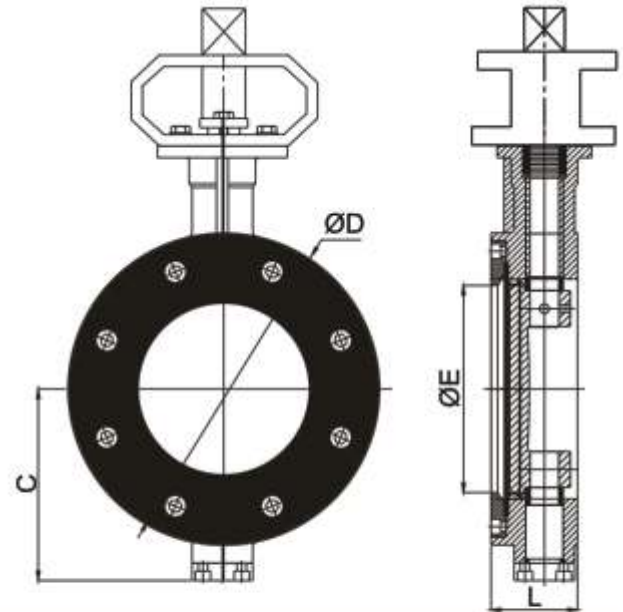
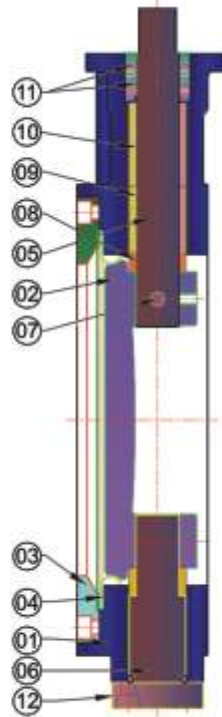
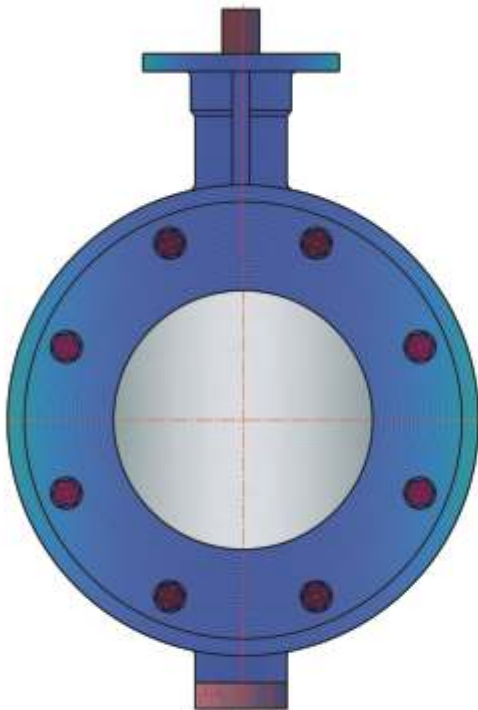
Size Range : 2" to 18"

Standard

Design And Manufacturing	API 609
Valve Face to Face Dimensions	API 609 Category "B"
Flange Standard Conformity	ASME B 16.5 Class 150
Inspection & Testing	API 598
Leakage Class	ASME B 16, 16.104 Leakage Class VI

PRESSURE / TEMPERATURE

PRESSURE RATING	PN 10
OPERATING TEMPERATURE	-50 °C TO 400 °C



Dimensions : 150#

(All Dimensions are in mm)

Valve Model	Valve Size		L	C	ØE	ØD
	MM	Inch				
4MSMT - 50	50	2"	47	65	50.8	95
4MSMT - 65	65	2.1/2"	52	66.5	60.6	108
4MSMT - 80	80	3"	52	77	72	127
4MSMT - 100	100	4"	57	93	100	159
4MSMT - 125	125	5"	60	117	123	186
4MSMT - 150	150	6"	60	131	143	217
4MSMT - 200	200	8"	67	167	192	270
4MSMT - 250	250	10"	72	196	239	322
4MSMT - 300	300	12"	85	218	290	382
4MSMT - 350	350	14"	92	242	335	436
4MSMT - 400	400	16"	102	270.5	387.5	495
4MSMT - 450	450	18"	114	362	425	540

No.	Description	Material	Qty.
1	Body	WCB / CF8 / CF8M	1
2	Disc	CF8 / CF8M	1
3	Retainer	M.S. / CF8 / CF8M	1
4	Seat Ring	CF8 / CF8M	1
5	Shaft	S.S. 304 / 316	1
6	Stem Shaft	S.S. 304 / 316 / 410	1
7	Disc Pin	S.S. 304 / 316 / 410	1
8	Shaft Collar	S.S. 304 / 316 / 410	4
9	Shaft Bush	S.S. 304 / 316	1
10	Shaft Bush	Graphite	1
11	Gland Seal Set	Graphite	5
12	Gland Plate	M.S. / CF8 / CF8M	1